

AMOS

Patria Hägglunds

Patria Hägglunds Oy strengthens the capabilities of both Patria and Hägglunds to better meet customers' requirements. With the combined resources of two world-class players, Patria Hägglunds Oy is especially well-prepared to respond to ever-increasing demands and to develop state-of-the-art designs.

ips-mainos.fi 102004

Patria Hägglunds Oy

Naulakatu 3
FIN-33100 TAMPERE
FINLAND
Tel. +358 20 469 2060
Fax +358 20 469 2061
e-mail: patriahagglunds@patia.fi
www.patriahagglunds.fi

Land Systems Hägglunds AB

SE-891 82 ÖRNSKÖLDSVIK
SWEDEN
Tel. +46 660 800 00
Fax +46 660 151 90
e-mail:
firstname.familyname@baesystems.se
www.baesystems.se

Patria Weapon Systems

P.O. BOX 18
FIN-38201 VAMMALA
FINLAND
Tel +358 20 4691
Fax +358 20 469 4239
e-mail: vmmas@patia.fi
www.patia.fi

Patria Hägglunds

AMOS

Patria Hägglunds



Advanced MOrtar System



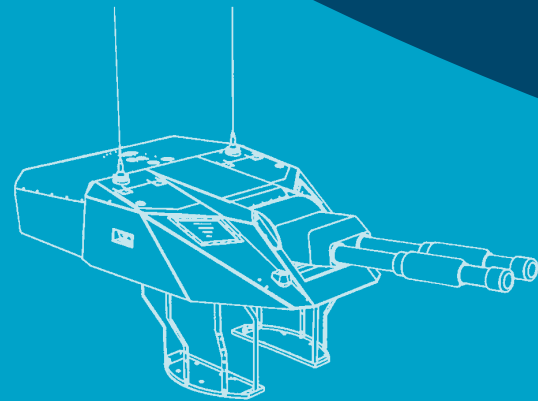
Example of platforms



Patria Hägglunds



Advanced MOrtar System



Advanced MOrtar System

- High rate of fire due to double barrel concept
- Direct fire capability
- Rapid deployment due to instrumentation for vehicle location and attitude; well suited for shoot & scoot tactics
- Ballistic protection against infantry weapons and splinters
- Muzzle blast and NBC protection
- Low chassis loads due to recoiling mechanism; suitability for both wheeled and tracked chassis
- Large on-board ammunition supply
- Suitability for all standard 120 smoothbore mortar ammunition as well as smart guided ammunition
- Full 360° traverse without limitations due to turret mounting and recoil mechanism



Technical Data

Turret

| | |
|------------------------------------|---|
| • Weight | 4400 kg |
| • Traverse range | ± 360° |
| • Elevation range | -3° – +85° |
| • Traverse and elevation mechanism | electrical / manual |
| • Crew | 2 + 1 |
| • Ammunition (total on-board) | 84 rds HE and 6 rds smart guided ammunition |

Main Armament

| | |
|----------------------|------------------------------|
| • Mortars | 2 x 120 mm smoothbore |
| • Barrel length | 2 x 3000 mm |
| • Loading system | automatic |
| • Recoiling system | hydro-pneumatic |
| • Secondary armament | machine gun, smoke launchers |

Performance

| | |
|--|--------------|
| • Time to fire | < 30 sec |
| • Time to scoot | < 10 sec |
| • Max. rate of fire | 26 rds / min |
| • First 4 rounds | < 8 sec |
| • Range | > 10 km |
| • Multiple rounds simultaneous impact (MRSI) | up to 14 rds |